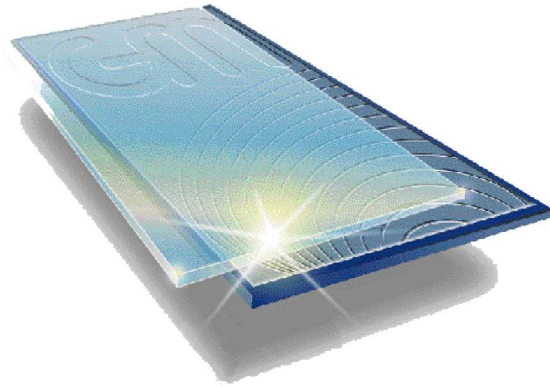


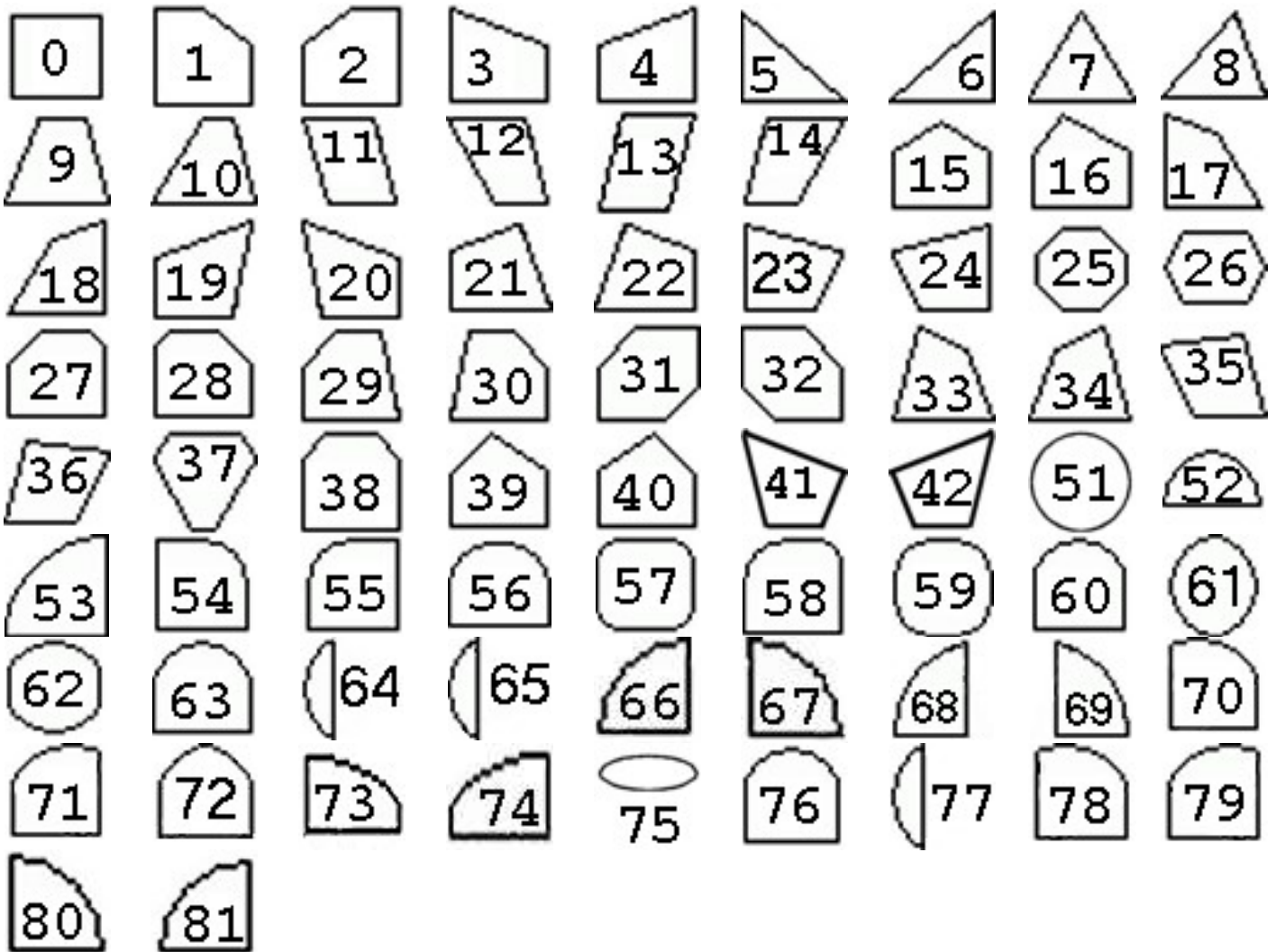
# **GLASSSOLUTIONS**

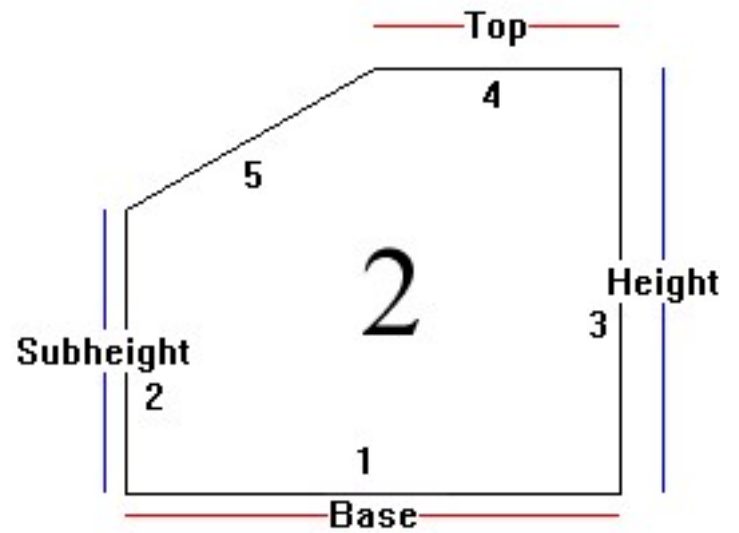
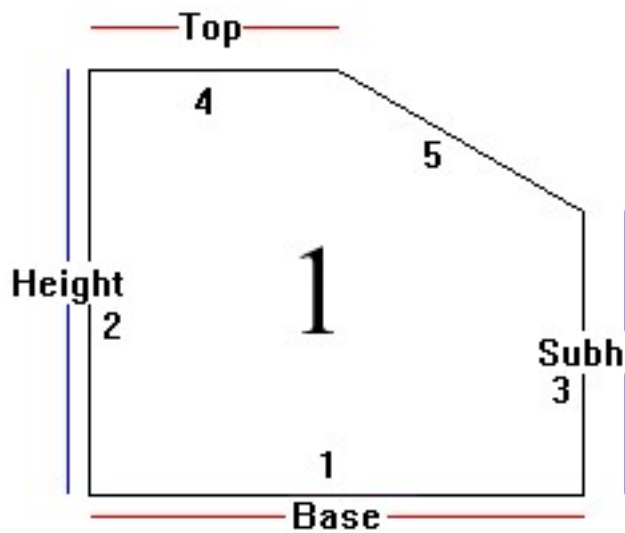


Shape Library

Updated September 1, 2005

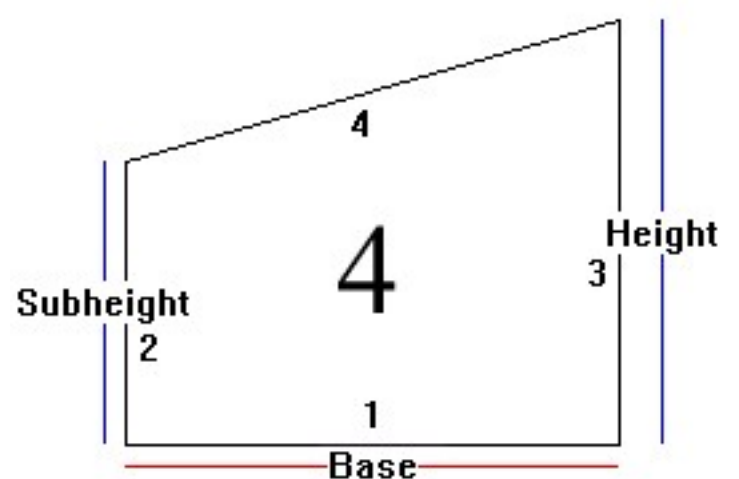
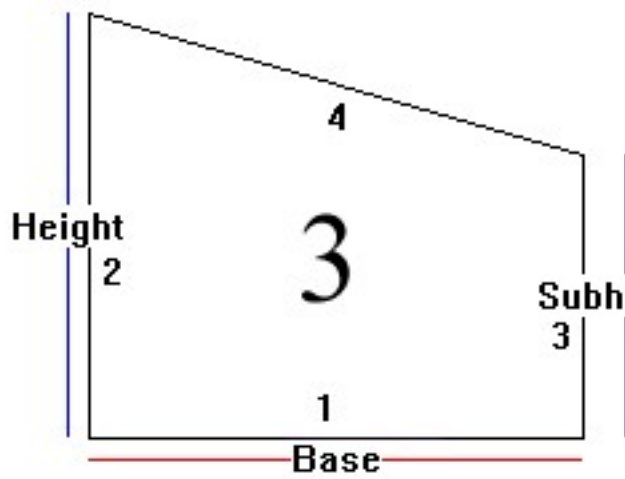
## Shape Library Overview





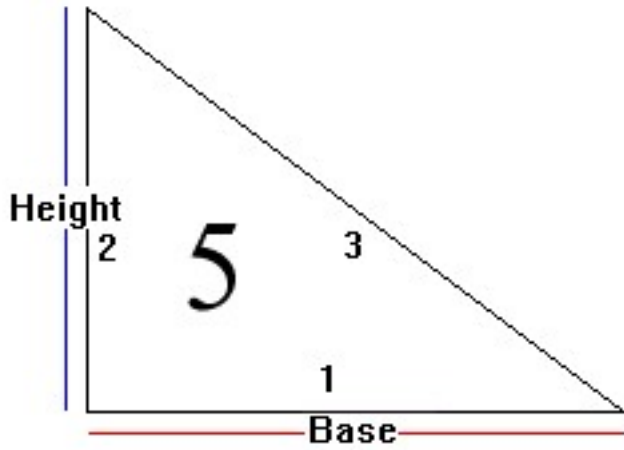
Base	Required
Height	Required
Subheight	Less than Height
Top	Less than Base
Nesting	No
Edgework	Yes

Base	Required
Subheight	Less than Height
Height	Required
Top	Less than Base
Nesting	No
Edgework	Yes

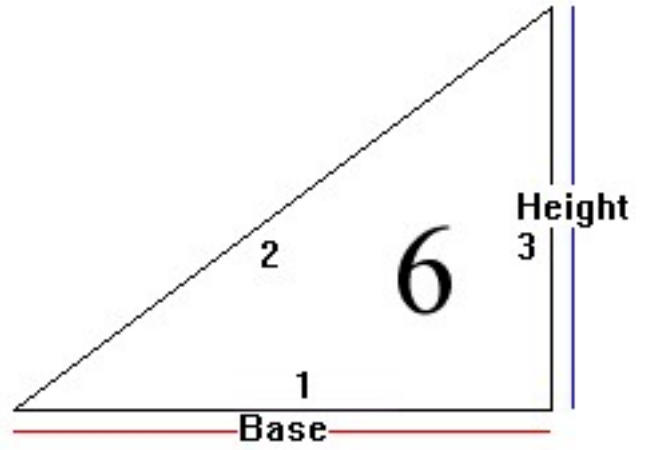


Base	Required
Height	Required
Subheight	Less than Height
Nesting	Yes
Edgework	Yes

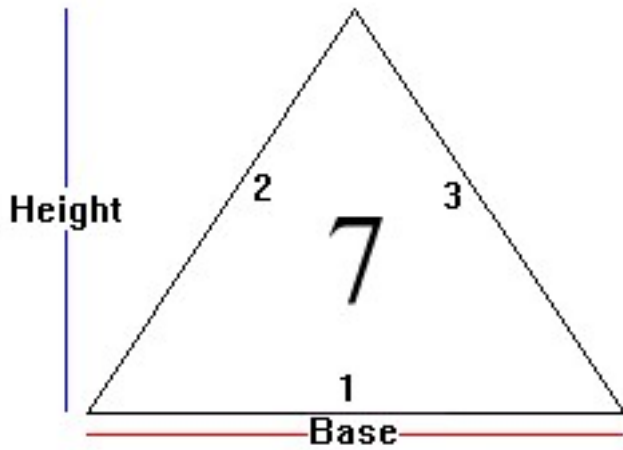
Base	Required
Subheight	Less than Height
Height	Required
Nesting	Yes
Edgework	Yes



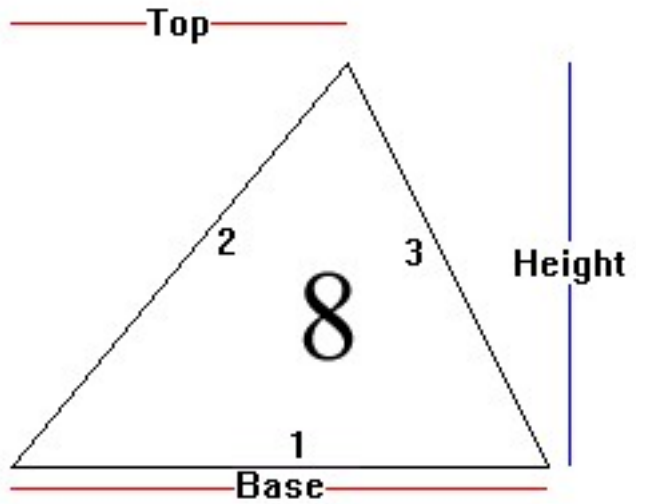
Base	Required
Height	Required
Nesting	Yes
Edgework	Yes



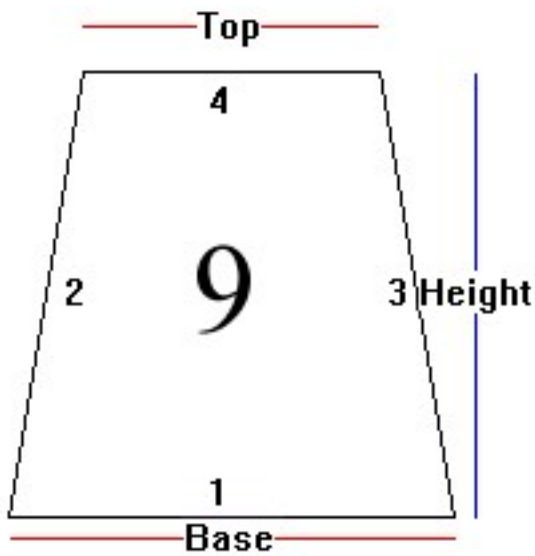
Base	Required
Height	Required
Nesting	Yes
Edgework	Yes



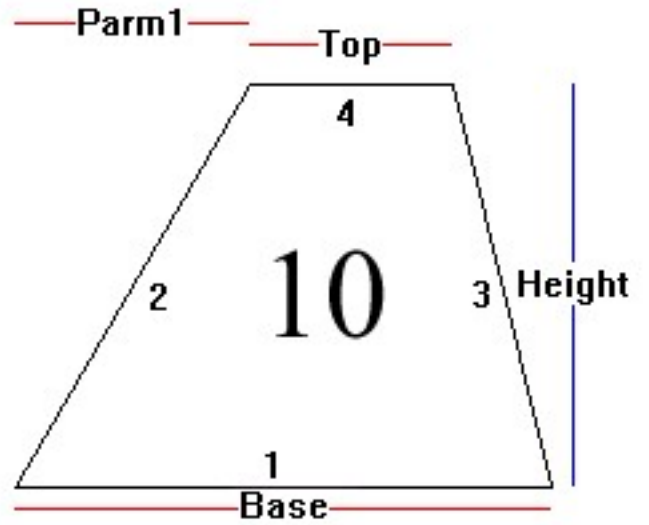
Base	Required
Height	Required
Nesting	Yes
Edgework	Yes



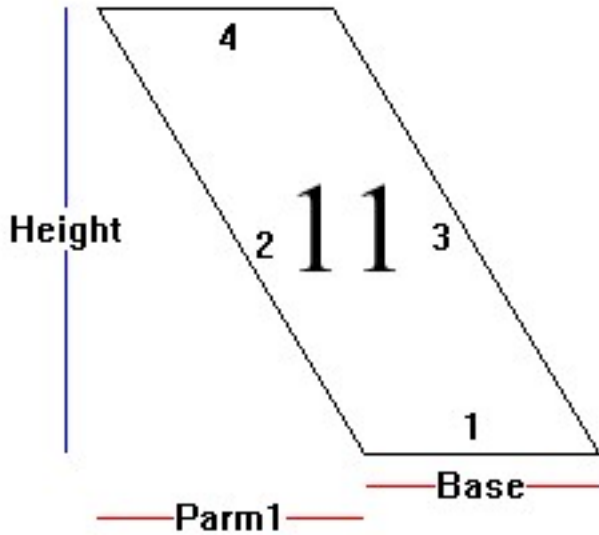
Base	Required
Height	Required
Top	Less than Base
Nesting	Yes
Edgework	Yes



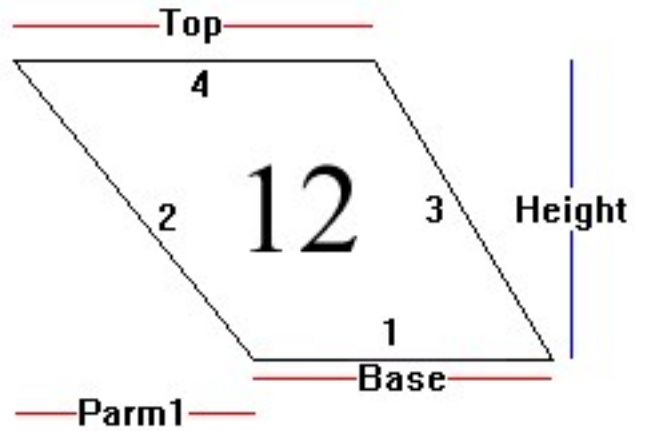
Base	Required
Height	Required
Top	Less than Base
Nesting	Yes
Edgework	Yes



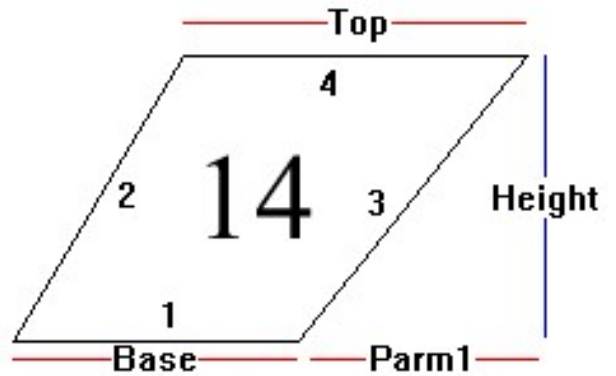
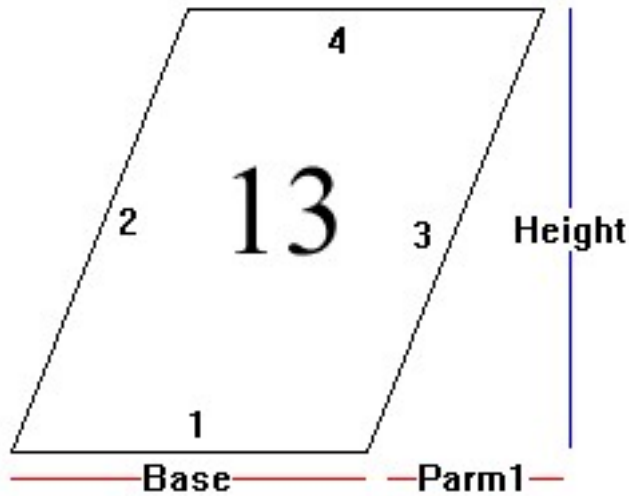
Base	Greater than Parm1 + Top
Height	Required
Top	Less than Base
Parm1	Less than Base
Nesting	Yes
Edgework	Yes



Base	Required
Height	Required
Parm1	Required
Nesting	Yes
Edgework	Yes

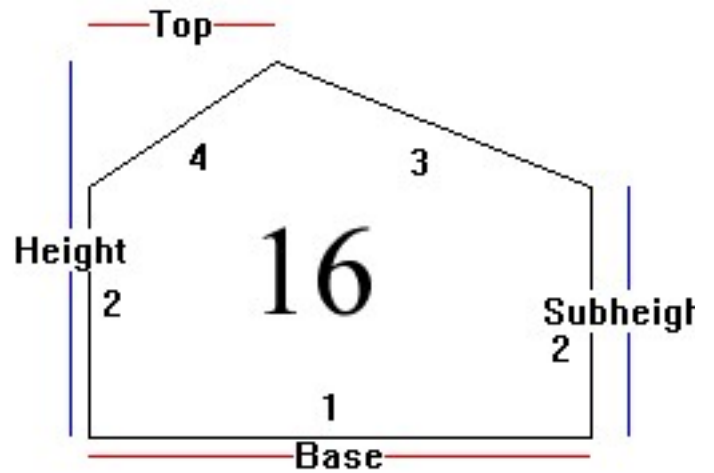
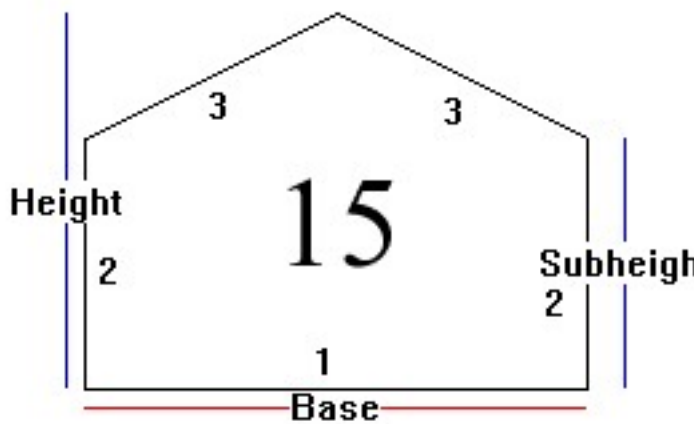


Base	Required
Height	Required
Top	Less than Base + Parm1
Parm1	Required
Nesting	Yes
Edgework	Yes



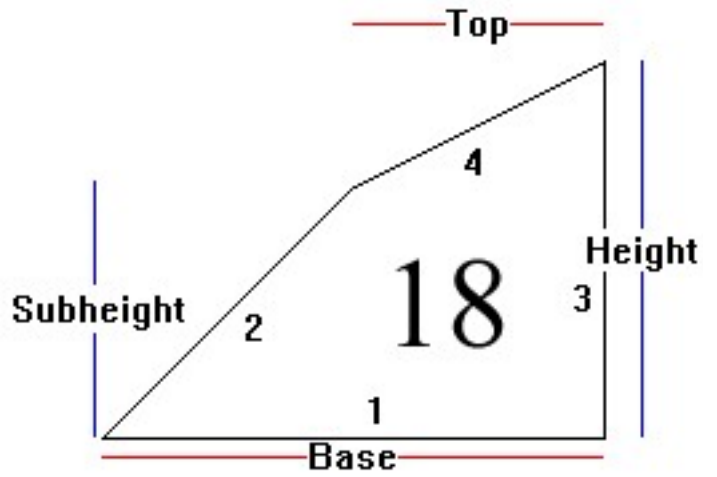
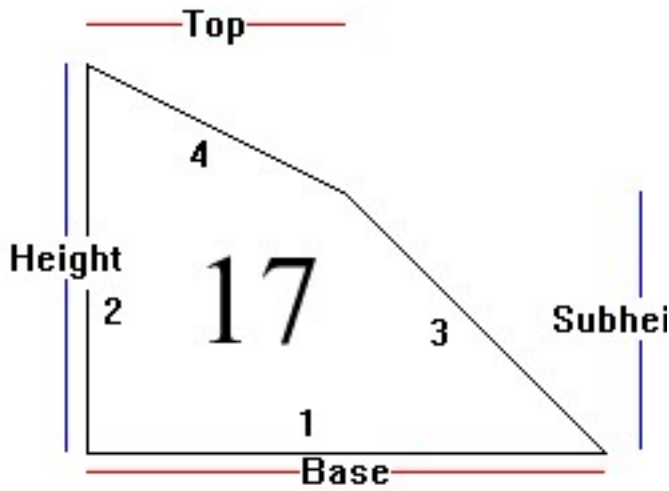
Base	Required
Height	Required
Parm1	Required
Nesting	Yes
Edgework	Yes

Base	Required
Height	Required
Top	Less than Parm1 + Base
Parm1	Required
Nesting	Yes
Edgework	Yes



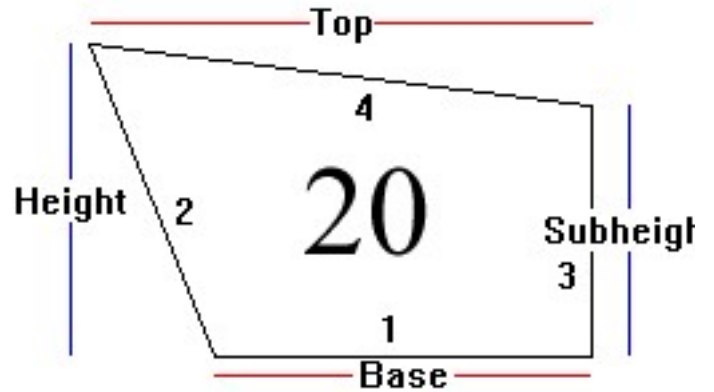
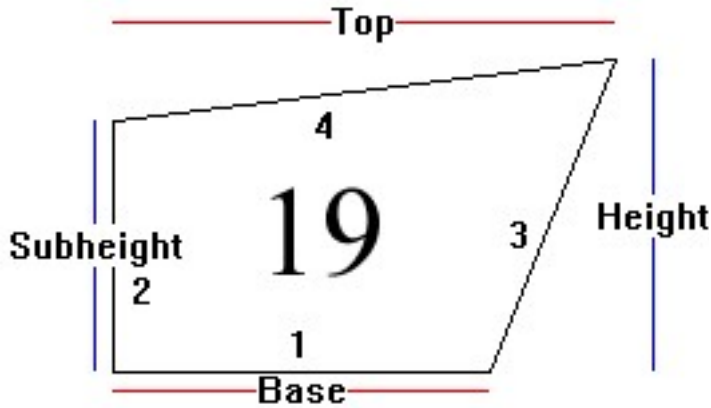
Base	Required
Height	Required
Subheight	Less than Height
Nesting	No
Edgework	Yes

Base	Required
Height	Required
Subheight	Less than Height
Top	Less than Base
Nesting	No
Edgework	Yes



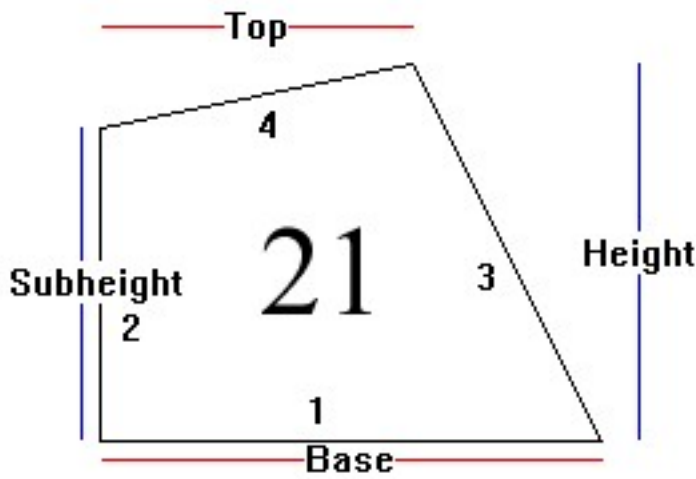
Base	Required
Height	Required
Subheight	Less than Height
Top	Less than Base
Nesting	No
Edgework	Yes

Base	Required
Subheight	Less than Height
Height	Required
Top	Less than Base
Nesting	No
Edgework	Yes

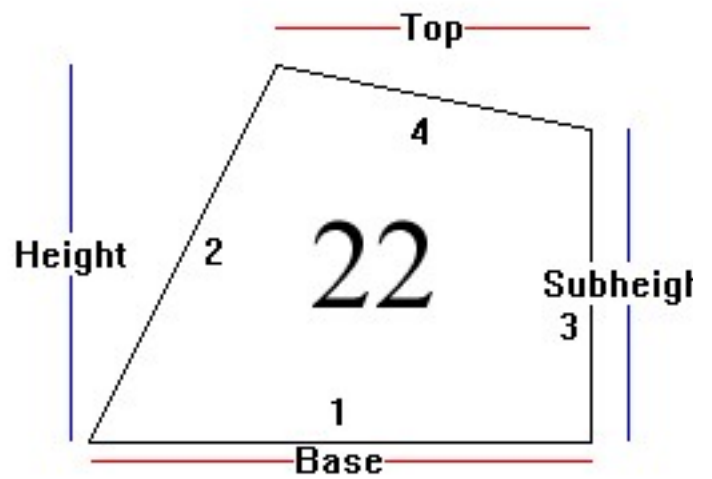


Base	Required
Subheight	Less than Height
Height	Required
Top	Greater than Base
Nesting	No
Edgework	Yes

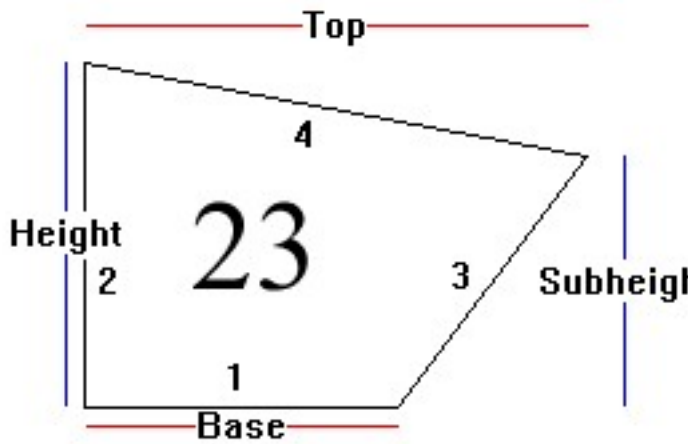
Base	Required
Height	Required
Subheight	Less than Height
Top	Greater than Base
Nesting	No
Edgework	Yes



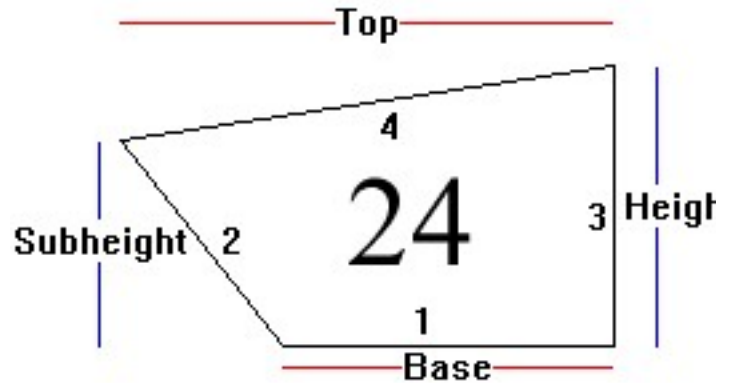
Base	Required
Subheight	Less than Height
Height	Required
Top	Less than Base
Nesting	No
Edgework	Yes



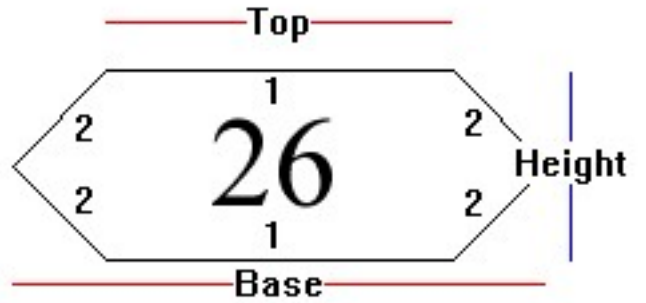
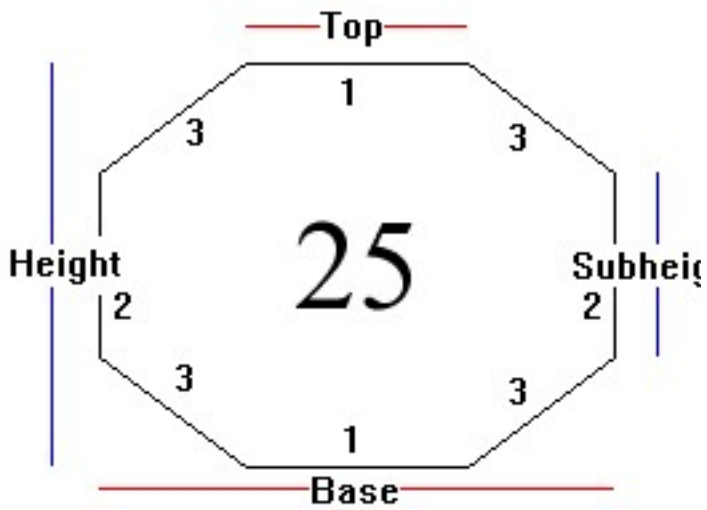
Base	Required
Height	Required
Subheight	Less than Height
Top	Less than Base
Nesting	No
Edgework	Yes



Base	Required
Height	Required
Subheight	Less than Height
Top	Greater than Base
Nesting	No
Edgework	Yes

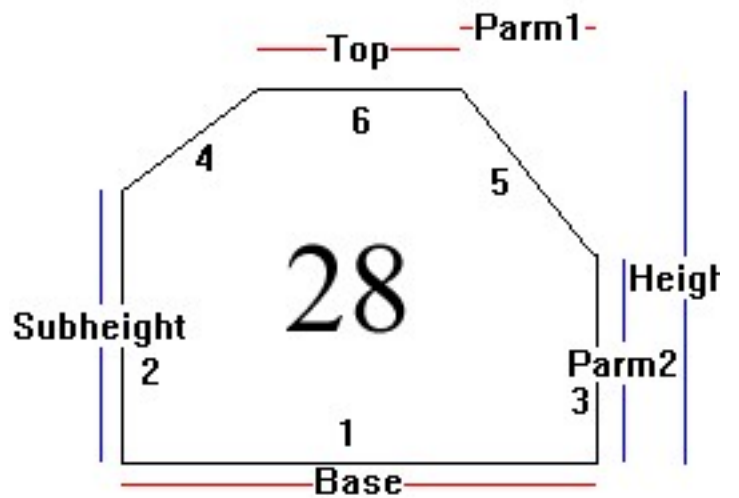
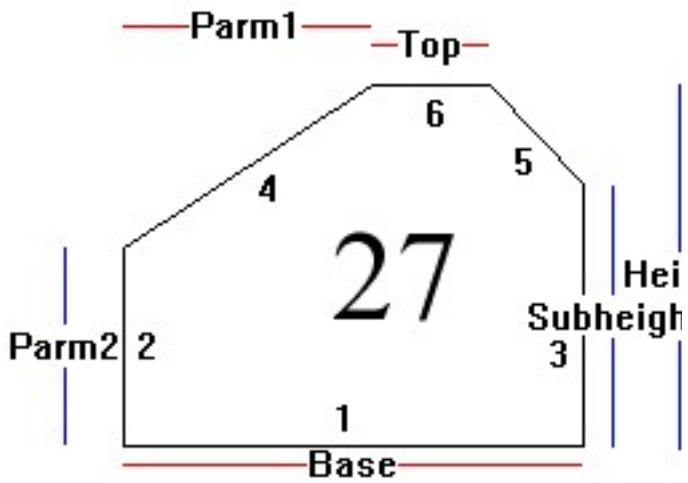


Base	Required
Subheight	Less than Height
Height	Required
Top	Greater than Base
Nesting	No
Edgework	Yes



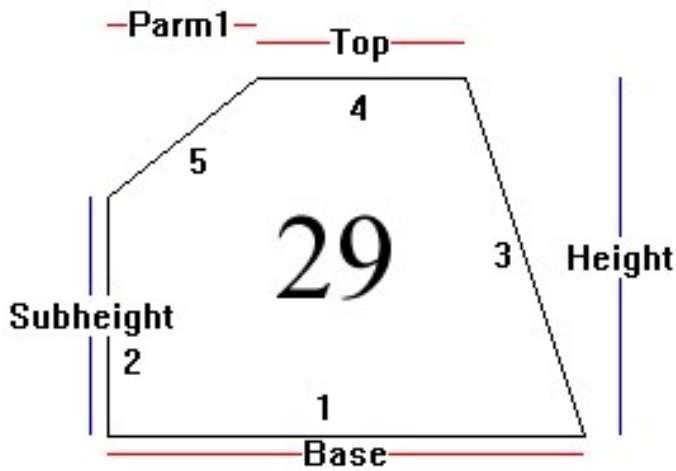
Base	Required
Height	Required
Subheight	Less than Height
Top	Less than Base
Nest	No
Edgework	Yes

Base	Required
Height	Required
Top	Less than Base
Nest	No
Edgework	Yes

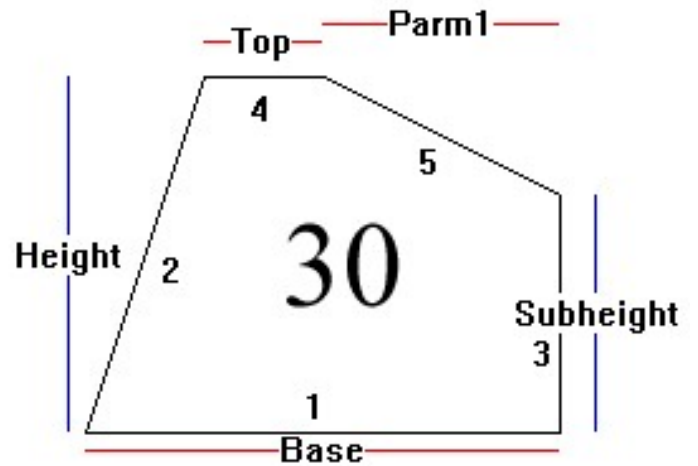


Base	Greater than Parm1 + Top
Height	Required
Subheight	Greater or equal to Parm2
Top	Less than Base
Parm1	Less than Base
Parm2	Less than Subheight
Nesting	No
Edgework	Yes

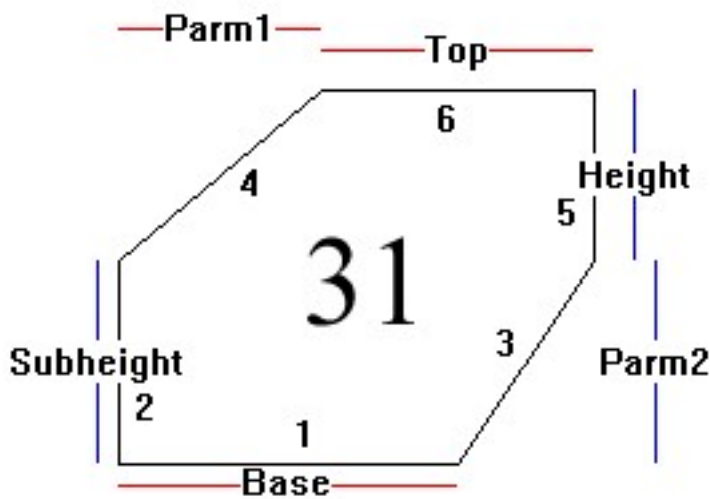
Base	Greater than Top + Parm1
Subheight	Greater or equal to Parm2
Height	Required
Top	Less than Base
Parm1	Less than Base
Parm2	Less than Subheight
Nesting	No
Edgework	Yes



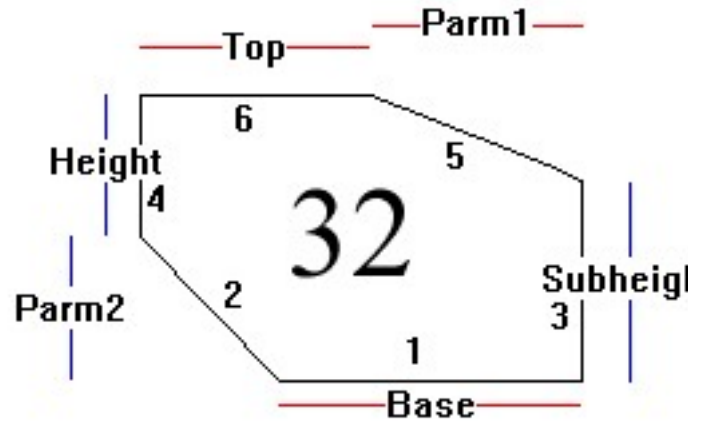
Base	Greater than Top + Parm1
Subheight	Less than Height
Height	Required
Top	Less than Base
Parm1	Less than Base
Nesting	No
Edgework	Yes



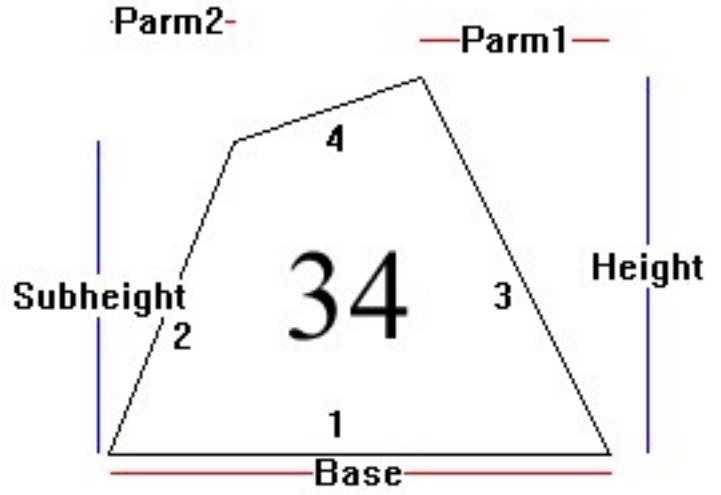
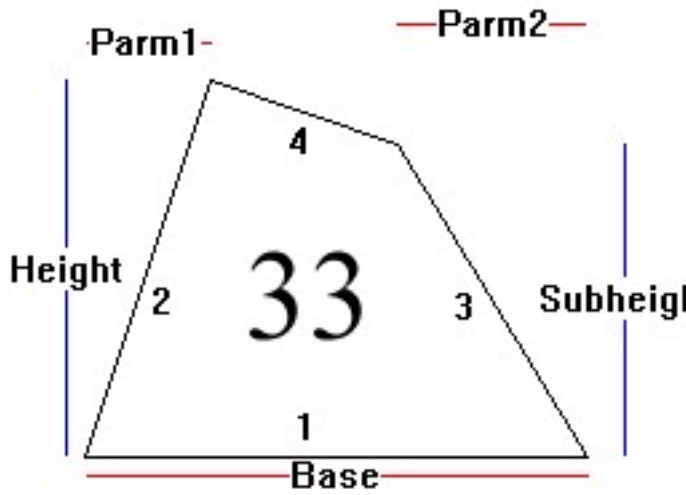
Base	Greater than Top + Parm1
Height	Required
Subheight	Less than Height
Top	Less than Base
Parm1	Less than Base
Nesting	No
Edgework	Yes



Base	Less than Top + Parm1
Subheight	Less than Height + Parm2
Height	Required
Top	Required
Parm1	Required
Parm2	Required
Nesting	No
Edgework	Yes

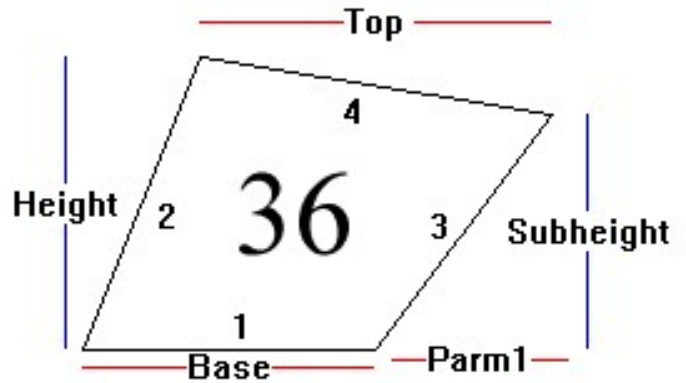
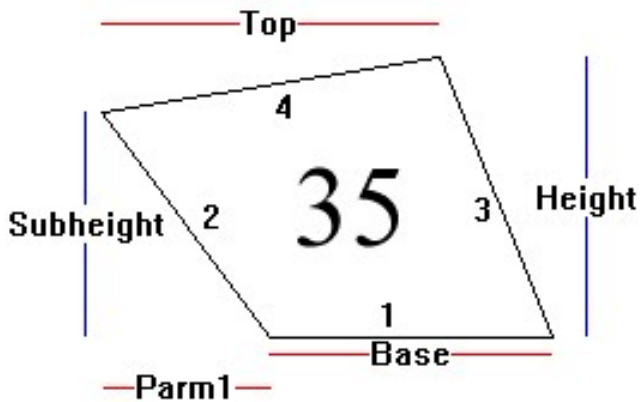


Base	Less than Top + Parm1
Height	Required
Subheight	Less than Height + Parm2
Top	Required
Parm1	Required
Parm2	Required
Nesting	No
Edgework	Yes



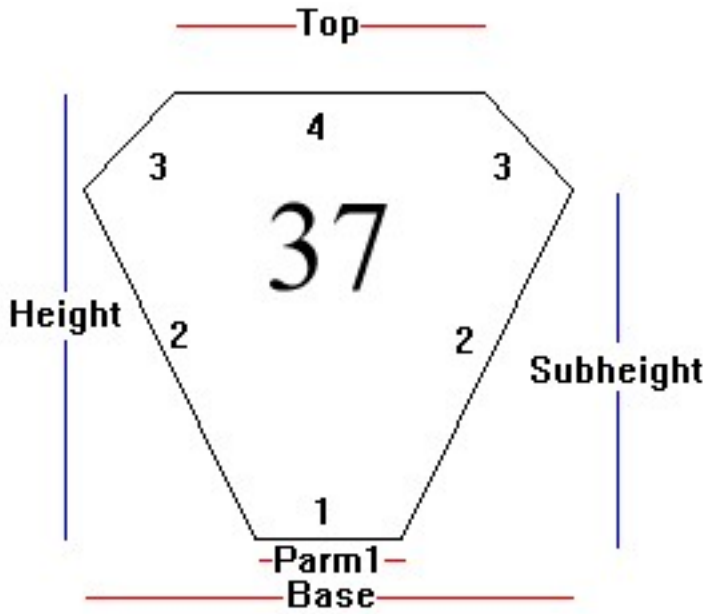
Base	Greater than Parm1 + Parm2
Height	Required
Subheight	Less than Height
Parm1	Required
Parm2	Required
Nesting	No
Edgework	Yes

Base	Greater than Parm1 + Parm2
Subheight	Less than Height
Height	Required
Parm1	Required
Parm2	Required
Nesting	No
Edgework	Yes

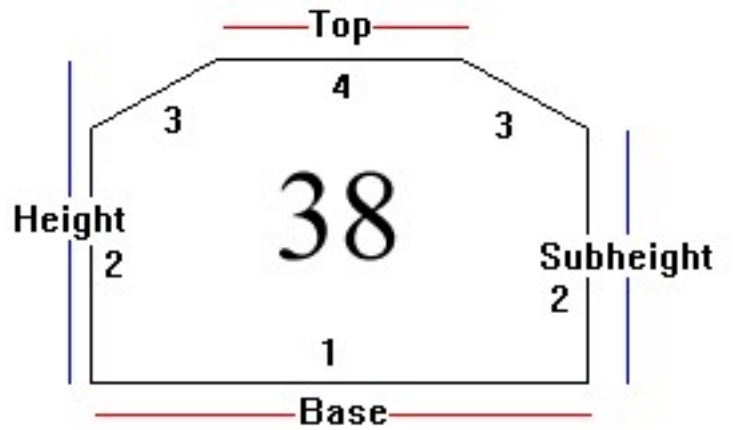


Base	Required
Subheight	Less than Height
Height	Required
Top	Less than Parm1 + Base
Parm1	Required
Nesting	No
Edgework	Yes

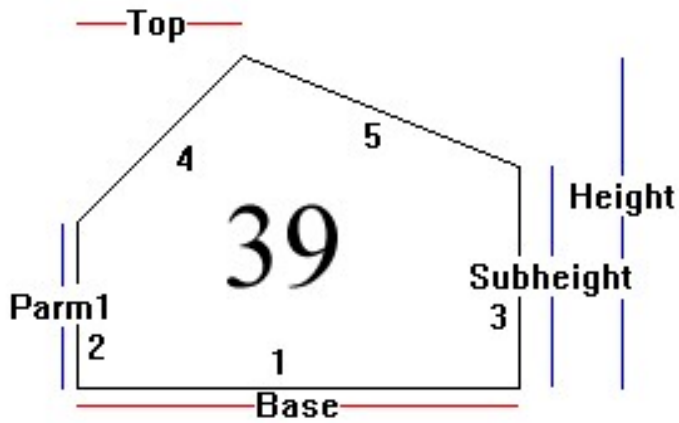
Base	Required
Height	Required
Subheight	Less than Height
Top	Less than Parm1 + Base
Parm1	Required
Nesting	No
Edgework	Yes



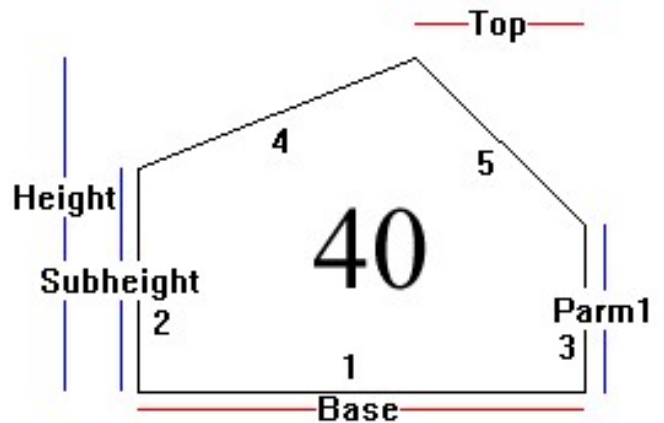
Base	Required
Height	Required
Subheight	Less than Height
Top	Less than Base
Parm1	Less than Base
Nesting	No
Edgework	Yes



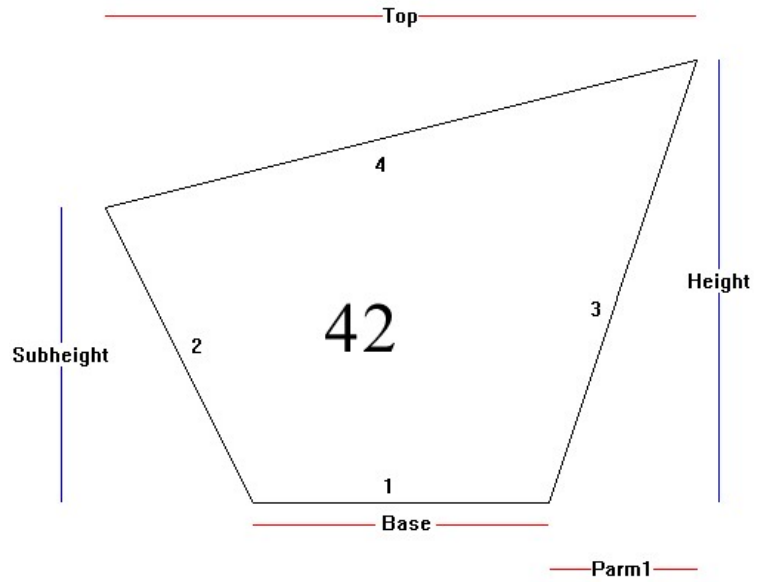
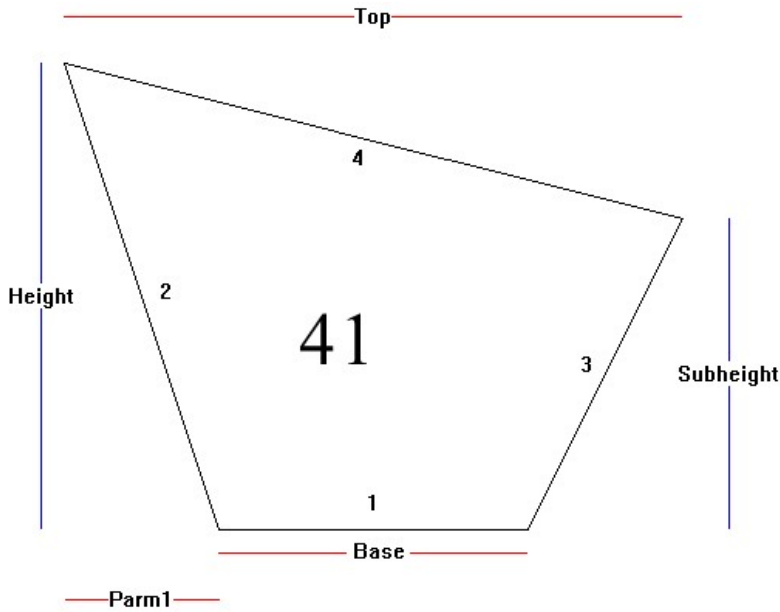
Base	Required
Height	Required
Subheight	Less than Height
Top	Less than Base
Nesting	No
Edgework	Yes



Base	Required
Height	Required
Subheight	Less than Height
Top	Less than Base
Parm1	Less than Subheight
Nesting	No
Edgework	Yes

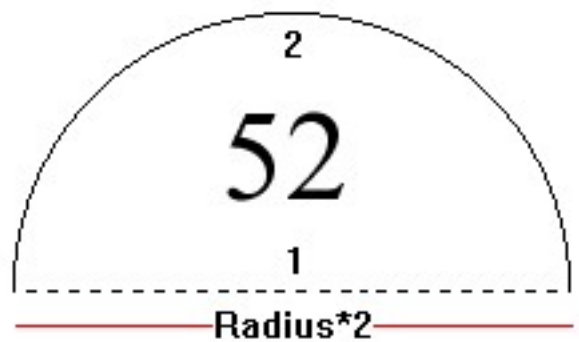
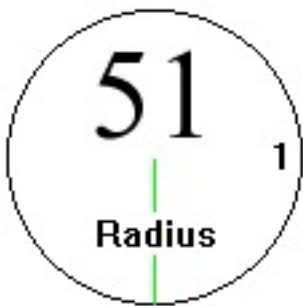


Base	Required
Subheight	Less than Height
Height	Required
Top	Less than Base
Parm1	Less than Subheight
Nesting	No
Edgework	Yes



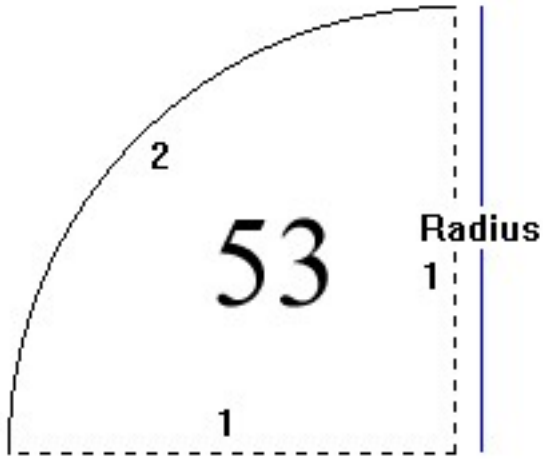
Base	Required
Height	Required
Subheight	Less than Height
Top	Greater than Base + Parm1
Parm1	Required
Nesting	No
Edgework	Yes

Base	Required
Height	Required
Subheight	Less than Height
Top	Greater than Base + Parm1
Parm1	Required
Nesting	No
Edgework	Yes

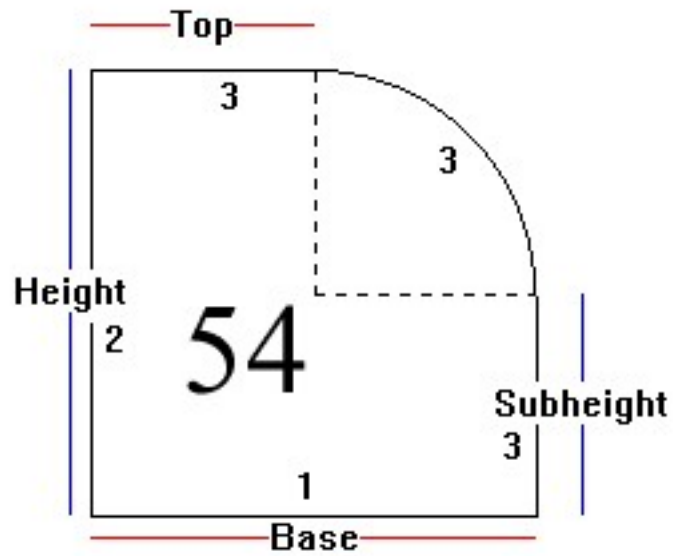


Radius	Required
Nesting	No
Edgework	Yes

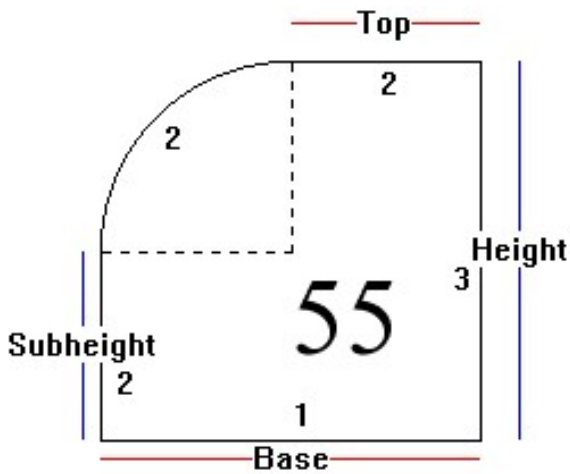
Radius	Required
Nest	No
Edgework	Yes



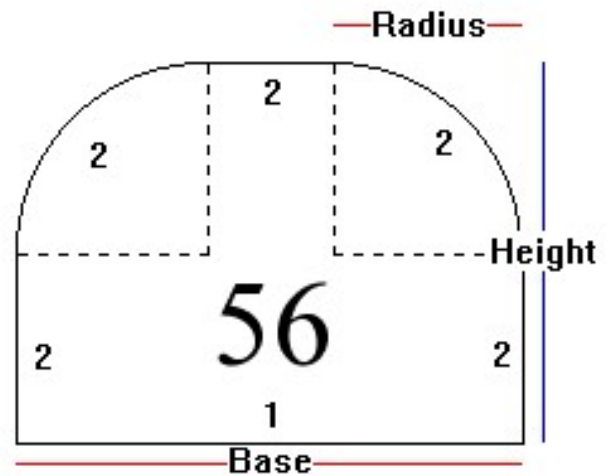
Radius	Required
Nesting	No
Edgework	Yes



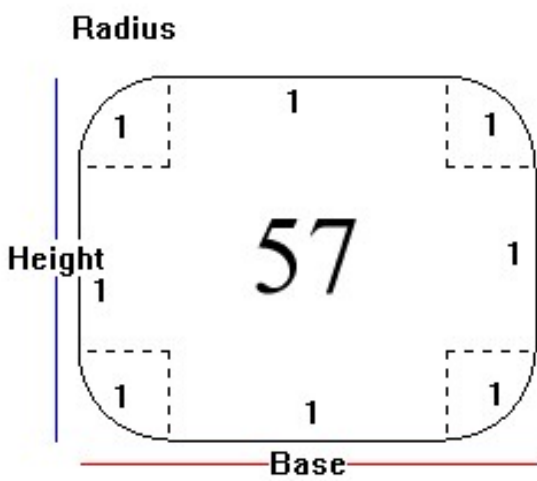
Base	Equal to (Height - Subheight) + Top
Height	Required
Subheight	Less than Height
Top	Less than Base
Nesting	No
Edgework	Yes



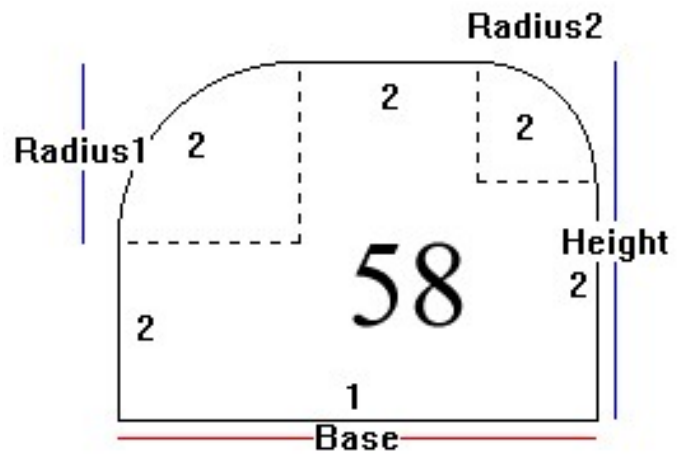
Base	Equal to (Height - Subheight) + Top
Subheight	Less than Height
Height	Required
Top	Less than Base
Nesting	No
Edgework	Yes



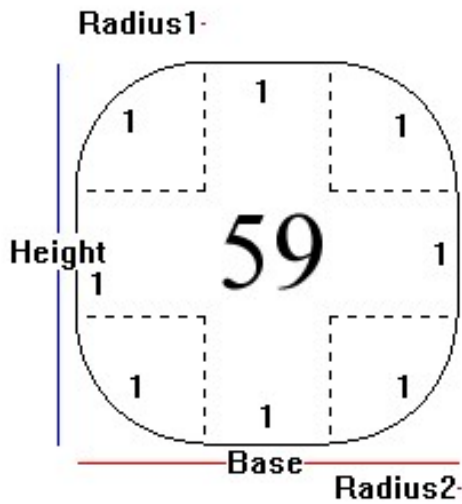
Base	Required
Height	Greater than Radius
Radius	Less than (Base / 2)
Nesting	No
Edgework	Yes



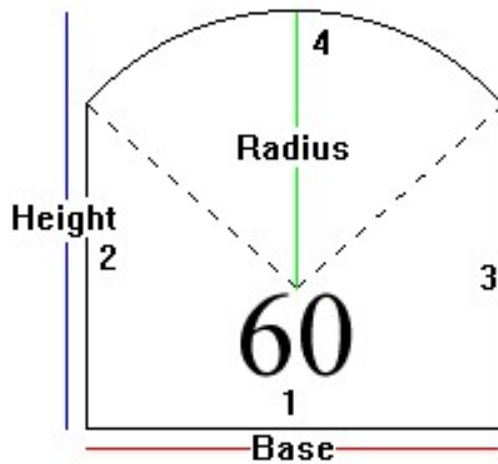
Base	Required
Height	Greater than (Radius * 2)
Radius	Less than (Base / 2)
Nesting	No
Edgework	Yes



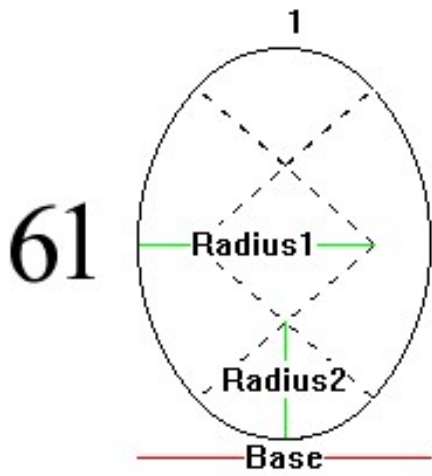
Base	Greater than Radius1+Radius2
Height	Required
Radius1	Less than Height
Radius2	Less than Height
Nesting	No
Edgework	Yes



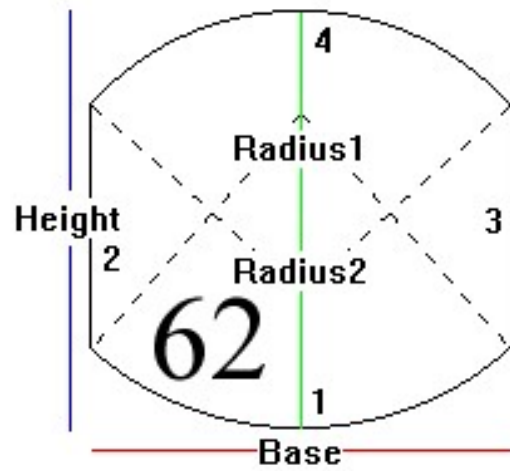
Base	Required
Height	Greater than Radius1+Radius2
Radius1	Less than (Base / 2)
Radius2	Less than (Base / 2)
Nesting	No
Edgework	Yes



Base	Less than Radius * 2
Height	Required
Radius	Required
Nesting	No
Edgework	Yes



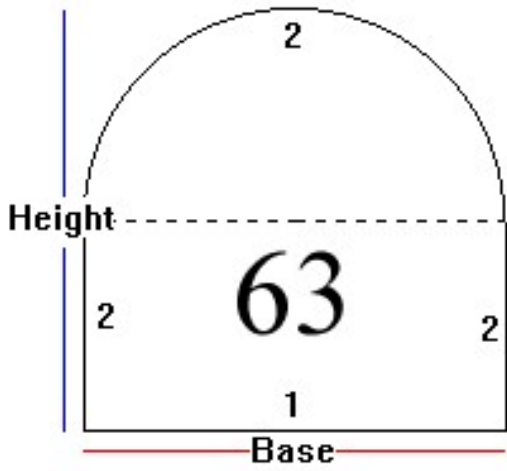
61



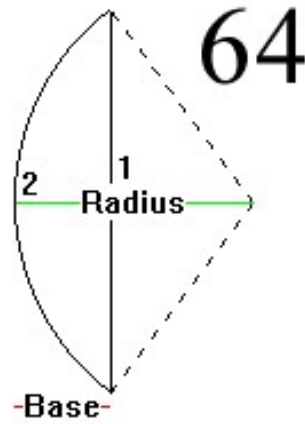
62

Base	Required
Radius1	Greater than Radius2
Radius2	Base/2
Nesting	No
Edgework	Yes

Base	Required
Height	Required
Radius1	Greater or equal to (Base / 2)
Nesting	No
Edgework	Yes



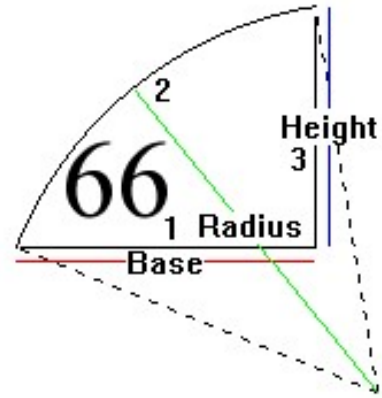
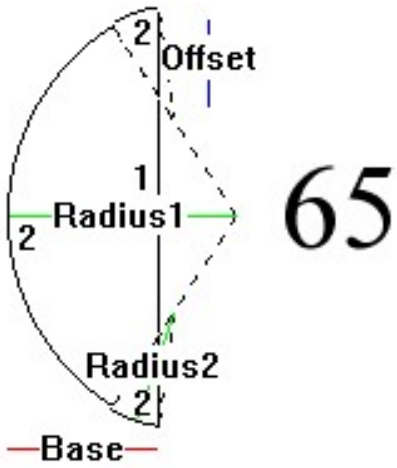
63



64

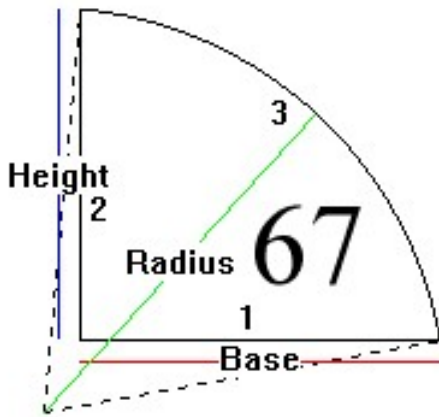
Base	Required
Height	Greater than Base/2
Nesting	No
Edgework	Yes

Base	Less than Radius * 2
Radius	Required
Nest	No
Edgework	Yes

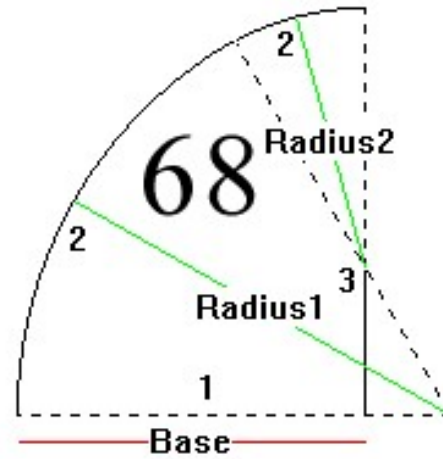


Base	Greater than Radius2
Radius1	Greater than Base
Radius2	Greater than Offset
Offset	Less than $\frac{((\text{Radius1} - \text{Base}) * (\text{Radius2} / \text{Radius1})) + \text{Radius1} - \text{Base}}$
Nesting	No
Edgework	Yes

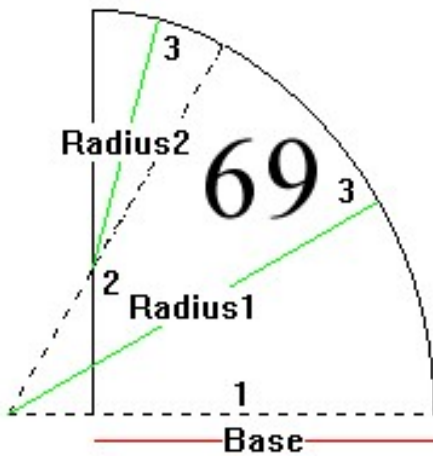
Base	Less than Radius
Height	Less than Radius
Radius	Required
Nesting	No
Edgework	Yes



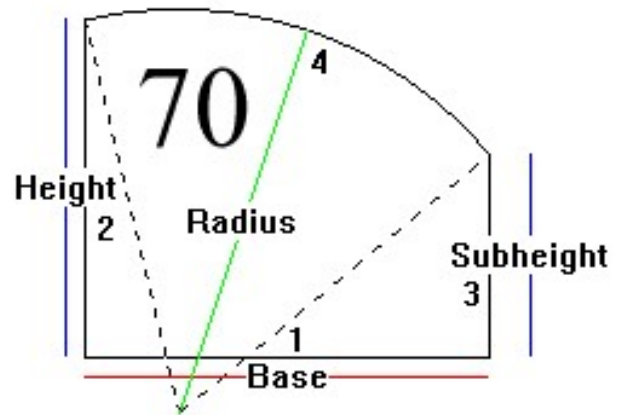
Base	Less than Radius
Height	Less than Radius
Radius	Required
Nesting	No
Edgework	Yes



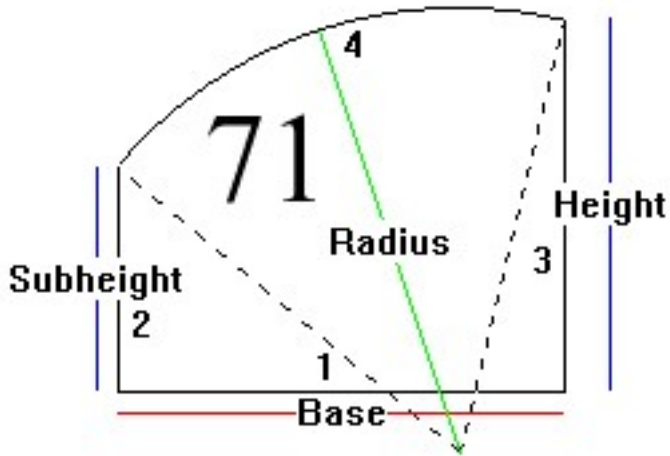
Base	Less than Radius1
Radius1	Required
Radius2	Less than Base
Nesting	No
Edgework	Yes



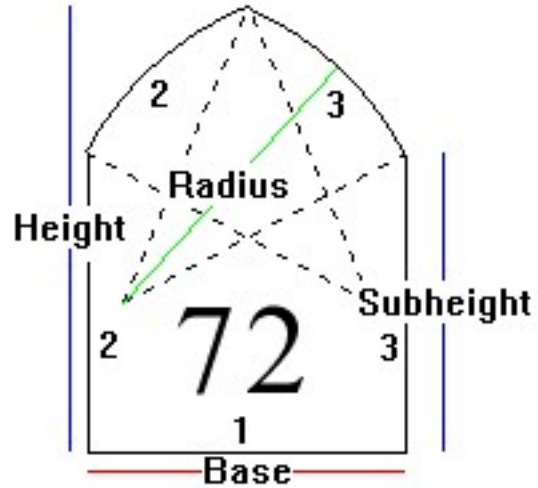
Base	Less than Radius1
Radius1	Required
Radius2	Less than Base
Nesting	No
Edgework	Yes



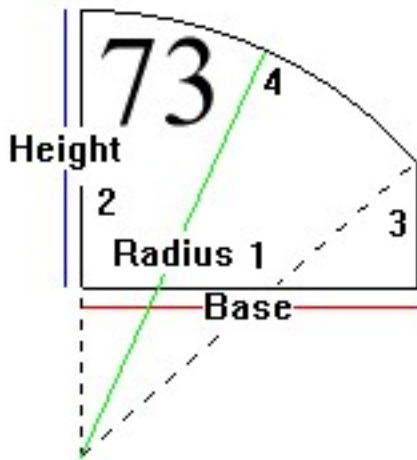
Base	Required
Height	Required
Subheight	Less than Height
Radius	Greater or equal to Base
Nesting	No
Edgework	Yes



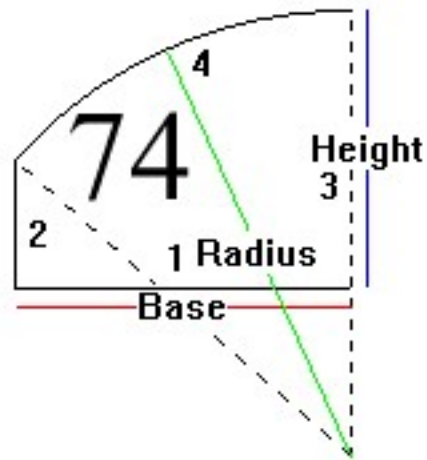
Base	Required
Subheight	Less than Height
Height	Required
Radius	Greater or equal to Base
Nesting	No
Edgework	Yes



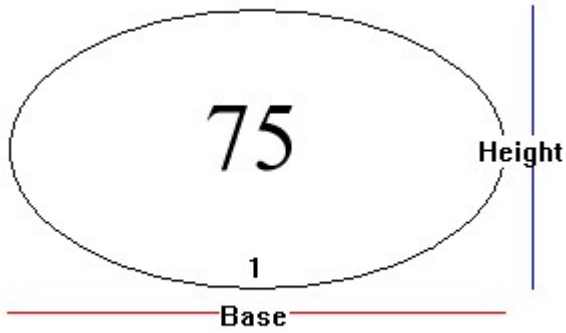
Base	Required
Height	Required
Subheight	Less than Height
Radius	Greater or equal to (Base / 2)
Nest	No
Edgework	Yes



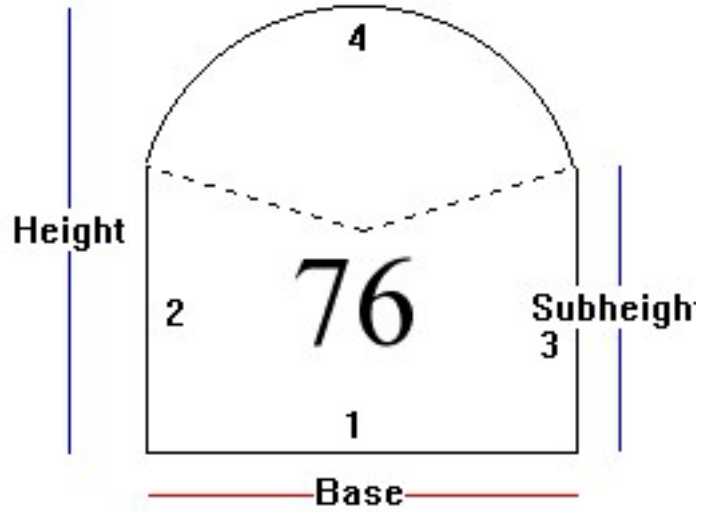
Base	Required
Height	Required
Radius	Greater or equal to Base
Nesting	No
Edgework	Yes



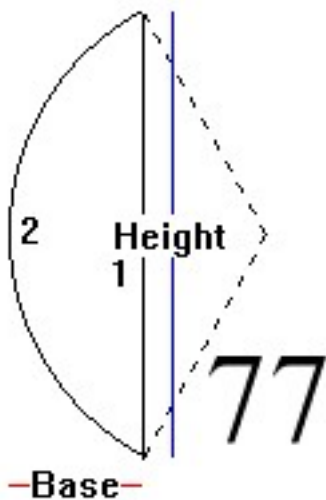
Base	Required
Height	Required
Radius	Greater or equal to base
Nesting	No
Edgework	Yes



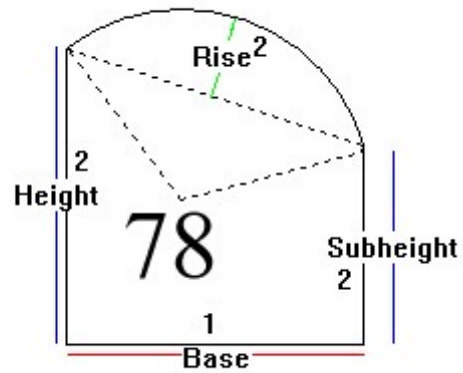
Base	Required
Height	Required
Nesting	No
Edgework	Yes



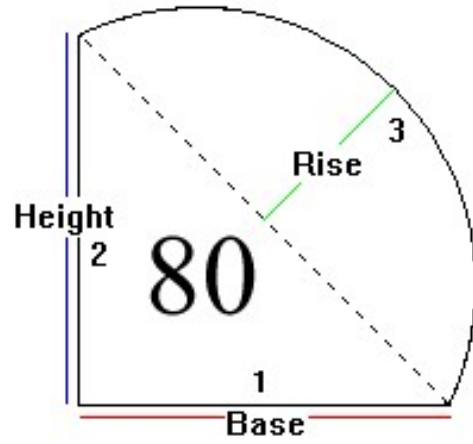
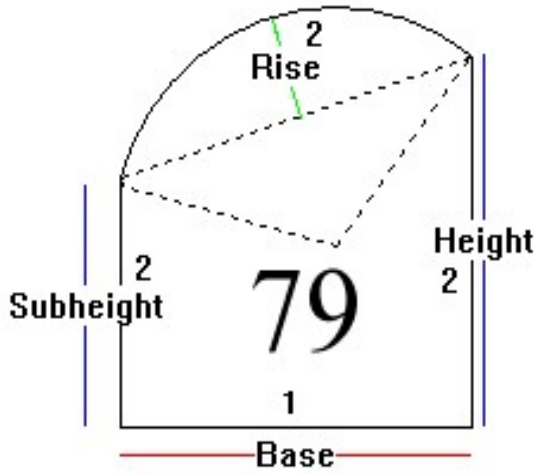
Base	Less than or equal to $2 * (((Base/2)^2) + ((Subheight - Height)^2)) / (2 * (Height - Subheight))$
Subheight	Less than Height
Height	Required
Nesting	No
Edgework	Yes



Base	Required
Height	Less than or equal to $2 * (((Height / 2) ** 2) + (Base**2)) / (2 * Base)$
Nesting	No
Edgework	Yes

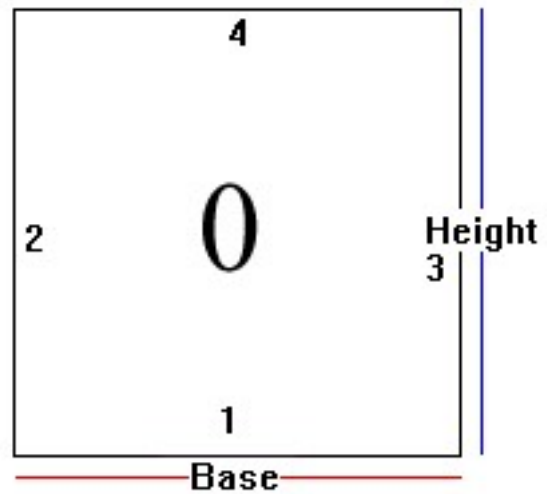
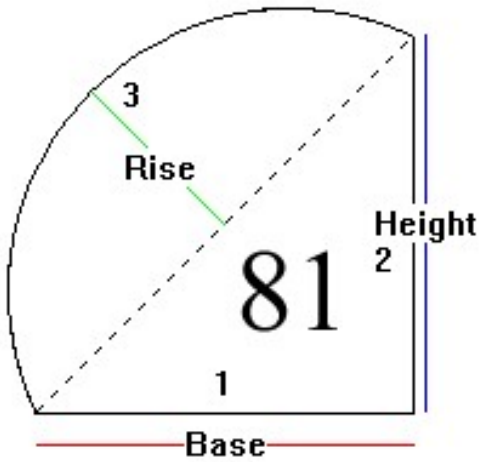


Base	Required
Height	Required
Rise	Required
Subheight	Less than Height
Nesting	No
Edgework	Yes



Base	Required
Height	Required
Rise	Required
Subheight	Less than Height
Nesting	No
Edgework	Yes

Base	Required
Height	Required
Rise	Required
Nesting	No
Edgework	Yes



Base	Required
Height	Required
Rise	Required
Nesting	No
Edgework	Yes

Base	Required
Height	Required
Nesting	Yes
Edgework	Yes